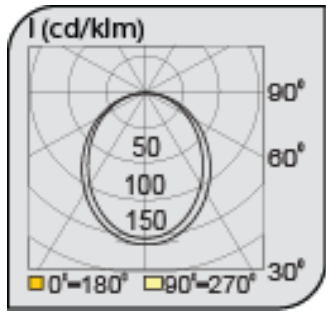
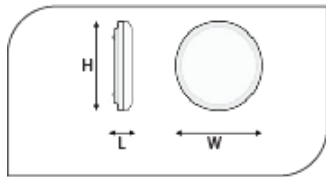




Sconce Luminaires

CEEN 60598-2-2IP 54

| | |
|-----------------------|-----------------------------|
| Code | VK300 100LED |
| Power (W) | 10 |
| Light Flux (lm) | 1050 |
| Light Source | SMD LED |
| Color Temp | SMD LED |
| Dimensions (W/L/H mm) | 270x58x270 |
| Cut Out (W/L/H mm) | 265x58x265 |
| Weight (Kg) | - |
| Housing | |
| Paint | Electrostatic Powder Coated |
| Balast | VDE Approved Driver |
| Diffuser | |
| Mounted | Surface |



| Code | Power (W) | Light Flux (lm) | Light Source | Color Temp | Dimensions (W/L/H mm) | Cut Out (W/L/H mm) | Weight (Kg) |
|--------------|-----------|-----------------|--------------|------------|-----------------------|--------------------|-------------|
| VK300 100LED | 10 | 1050 | SMD LED | 4000K | 270x58x270 | 265x58x265 | - |